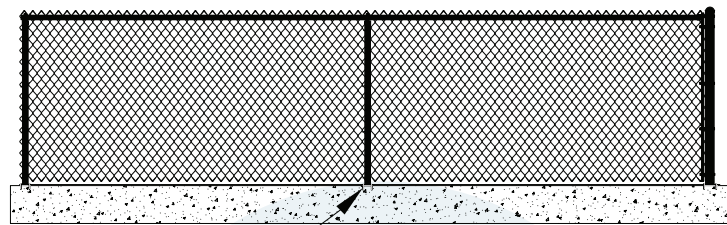
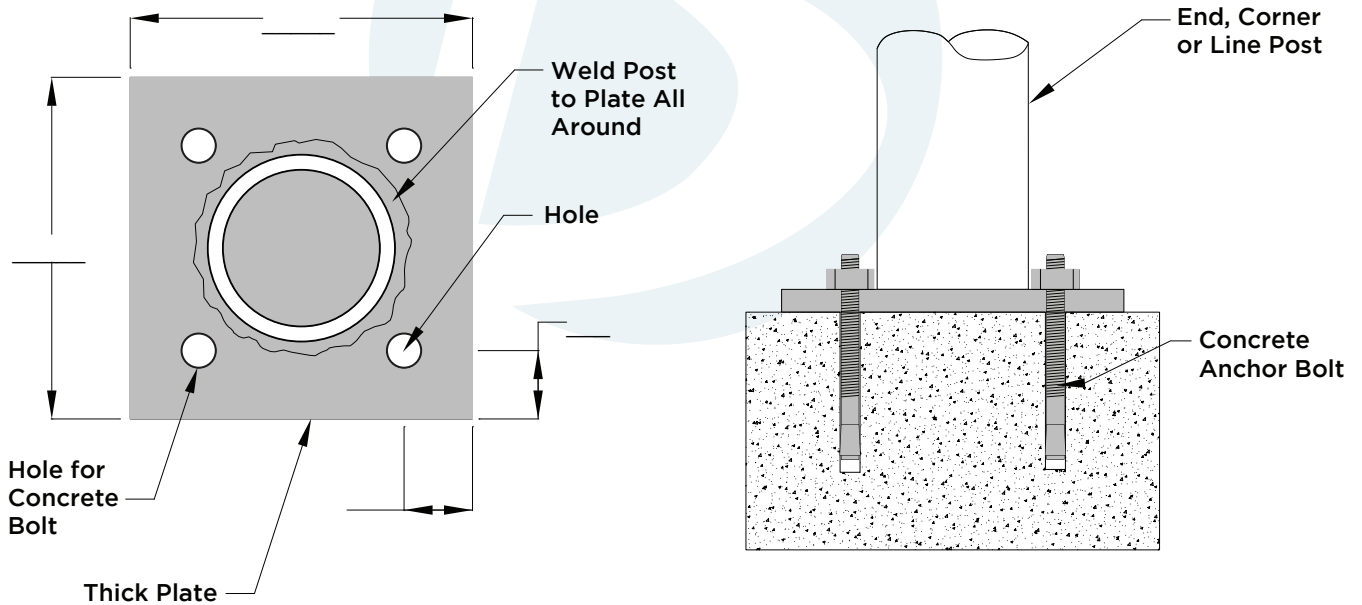


PLATE MOUNT DETAIL



See Detail Below

Typical Fence Elevation



Details of Mounting Plate

Project:	
Site Location:	Date:
	Drawing # CL-21